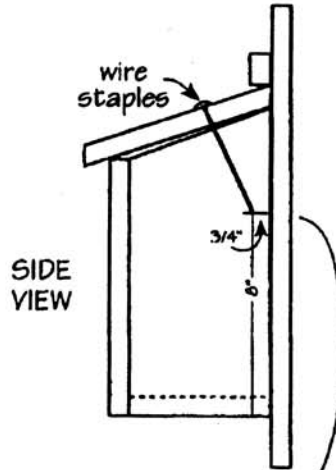
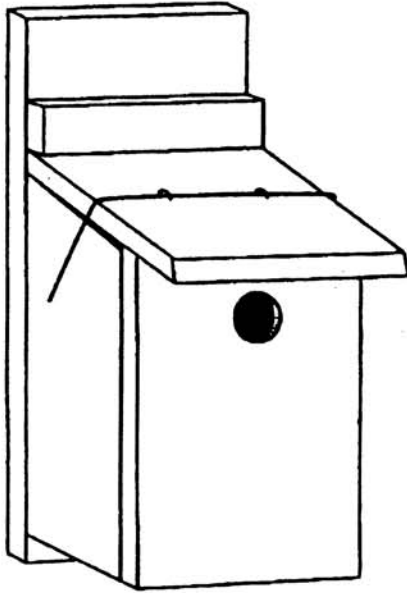
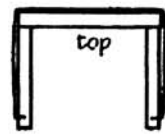


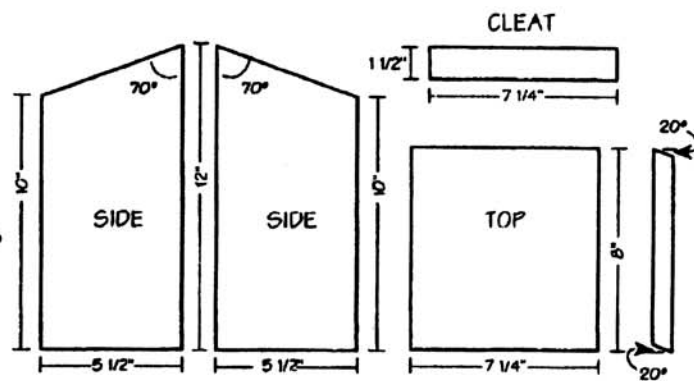
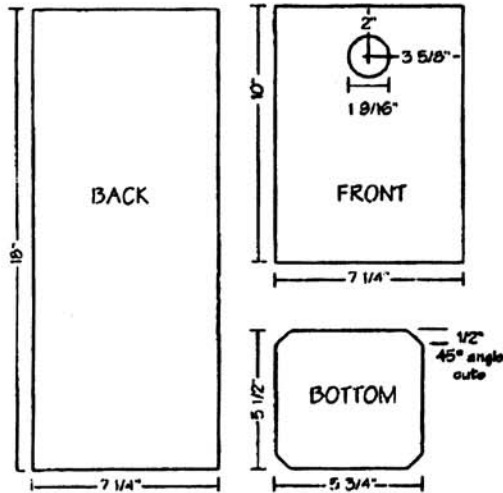
# Top-opening Box for Bluebirds



Materials List	
cut from wood 3/4" thick:	
top (w x h).....	7 1/4" x 8"
front .....	7 1/4" x 10"
back.....	7 1/4" x 18"
sides (2).....	5 1/2" x 12"
bottom.....	5 3/4" x 5 1/2"
cleat.....	7 1/4" x 1 1/2"
hole diameter.....	1 9/16"
hardware:.....	wire staples
latch wire.....	1/8" diameter x 18 1/4" long



To attach latch wire, drill a 1/8" diameter hole, 1/2" deep into each side, and insert the ends of the wire into the holes.



The dimensions of this box are generously sized to accommodate the larger nests of mountain bluebirds. To attach latch wire, drill a 1/8" diameter hole, 1/2" deep into each side. Insert the ends of the wire into these holes. Instead of using a latch wire, the top can be secured with a #8 x 1 1/2" wood screw.